

**MEMORANDUM OF AGREEMENT
AMONG THE FEDERAL HIGHWAY ADMINISTRATION,
THE HAWAII STATE HISTORIC PRESERVATION OFFICER,
AND THE ADVISORY COUNCIL ON HISTORIC PRESERVATION
REGARDING THE
KAUA‘I EMERGENCY FLOOD REPAIRS AND CLEANUP AT VARIOUS
LOCATIONS APRIL 2018
Districts of Halele‘a and Wailua, Kaua‘i, Hawai‘i**

WHEREAS, the island of Kaua‘i has suffered a disastrous occurrence of heavy rains with associated flooding and landslides that have caused extensive damage to Kūhiō Highway from Hā‘ena to Hanalei, as well as in certain locations at Kalihiwai, and Wailua for which the Governor of the State of Hawai‘i, and the President of the United States has proclaimed an emergency and disaster on April 15, 2018 and May 8, 2018, respectively; and

WHEREAS, the Federal Highway Administration (FHWA) has determined that the Kaua‘i Emergency Flood Repairs and Cleanup at Various Locations April 2018 project is an undertaking, as defined in 36 CFR § 800.16(y), and this is subject to review under Section 106 of the National Historic Preservation Act (NHPA), (54 U.S.C. § 306108), as amended, and codified in its implementing regulations, 36 CFR Part 800, as amended (August 5, 2004);

WHEREAS, the FHWA plans to fund the undertaking pursuant to the 23 USC § 125; and

WHEREAS, the undertaking consists of debris removal, slope scaling, slope revetment, roadway and slope stabilization, pavement repairs, road reconstruction, repairs to stream crossings, as well as bridge rehabilitation for Wai‘oli Bridge, and replacement for Waipā Bridge and Waikoko Bridge to accommodate heavy construction equipment with a higher load capacity, which are listed in **Exhibit A**; and

WHEREAS, FHWA has defined the undertaking’s area of potential effects (APE) as shown also in **Exhibit A**; and

WHEREAS, the FHWA has determined that the undertaking will have an adverse effect on the Wai‘oli Bridge, Waipā Bridge, and Waikoko Bridge, which are individually eligible for listing on the National Register of Historic Places (NRHP) under Criteria A (associated with events that have made a significant contribution to the broad patterns of our history) and C (embodies the distinctive characteristics of a type, period, or method of construction, or that represent that work of a master, or that possess high artistic values, or that represent a significant and distinguishable entity whose components may lack individual distinction), as well as contributing features to the Kaua‘i Belt Road, which is listed on the NRHP; and

WHEREAS, FHWA has determined that the undertaking will have an adverse effect on the Kaua‘i Belt Road, which is listed on the NRHP under Criteria A (associated with events that have made a significant contribution to the broad patterns of our history) and C (embodies the distinctive characteristics of a type, period, or method of construction, or that represent that work

of a master, or that possess high artistic values, or that represent a significant and distinguishable entity whose components may lack individual distinction); and

WHEREAS, FHWA has consulted with the Hawai‘i State Historic Preservation Officer (SHPO); and

WHEREAS, the HDOT, as project proponent and applicant for Federal assistance shall carry out the stipulations identified under this Memorandum of Agreement (MOA) and is an invited signatory; and

WHEREAS, the Waikoko Land Corp owns the property identified in Land Court Application 1161, Map No. 7, Lot C-1, and the State of Hawai‘i Department of Land and Natural Resources owns the property identified in Land Court Application 1161, Map No. 7, Lot C-2 for which HDOT shall obtain respective right-of-entries for the length of highway across each property; and

WHEREAS, HDOT owns the remainder of the roadway in fee; and

WHEREAS, FHWA and HDOT invited the Hanalei Roads Committee and Historic Hawaii Foundation to participate as Section 106 consulting parties, and placed an advertisement in *The Garden Island Newspaper* on May 11, 2018 to invite Native Hawaiian organizations (NHOs) and Native Hawaiian descendants with ancestral lineal or cultural ties to, cultural knowledge or concerns for, and cultural or religious attachment to the proposed project area to consult; and

WHEREAS, FHWA and HDOT met with consulting parties on May 3, 2018, May 29, 2018, June 19, 2018, June 26, 2018 (with a follow-up sub-group meeting on June 28, 2018), and August 3, 2018; and

WHEREAS, FHWA and HDOT notified the public and requested input on the proposed undertaking, the undertaking’s effects on historic properties, committed mitigation measures, and/or review of this Memorandum of Agreement (MOA) in *The Garden Island Newspaper* on May 11, 2018 and in a public meeting on May 29, 2018 at the Hanalei Elementary School; and

WHEREAS, FHWA has consulted with the Hanalei Roads Committee, the Historic Hawaii Foundation, Hanalei Watershed Hui, Waikoko Ohana, Hui Ho'omalulu I Ka 'Āina, and Konohiki Restoration Project regarding the effects of the undertaking on historic properties and has invited them to sign this MOA as concurring parties (“concurring parties”); and

WHEREAS, in accordance with 36 CFR § 800.6(a)(1), FHWA has notified the Advisory Council on Historic Preservation (ACHP) of its adverse effect determination with the specified documentation, and the ACHP has chosen to participate in the consultation pursuant to 36 CFR § 800.6(a)(1)(iii); and

NOW, THEREFORE, the FHWA, SHPO, ACHP and the HDOT (“signatories”) agree that the undertaking shall be implemented in accordance with the following stipulations in order to take into account the effect of the undertaking on historic properties.

STIPULATIONS

The FHWA, with the assistance of HDOT, shall ensure that the following stipulations are carried out:

- I. HDOT will ensure that the designs for the new Waipā, and Waikoko bridges shall conform as much as possible to the guidelines recommended by the Kūhiō Highway (Route 560) Historic Roadway Corridor Plan (2005, HDOT). HDOT shall implement the designs in **Exhibit B**, which may be modified in accordance with Stipulations I.C and I.E below. Design elements for each of the two replacement bridges include:
 - A. Placing the footings and girders outside the existing bridge footprint, while installing a precast bridge on top of the existing bridge.
 - B. Solid concrete parapets with the iconic solid concrete rail cap, similar to the existing bridge.
 - C. Maintain a 12’ to 14’ travel way width with a 1’ to 3’ non-mountable curbs or similar to protect the bridge parapets (which also acts as the bridge girder). The 8” high non-mountable curb shall have reflective coating or paint for traffic calming measures, as described in Stipulation VIII.B.
 - D. Maintain existing alignments and the one-lane travel route on the bridges.
 - E. HDOT shall provide concurring parties with a 7-calendar day review of the bridge designs.
 - F. Have a posted load of 15 tons, with a capacity for 20 tons for the duration of the Kaua‘i Emergency Flood Repairs project. After the Kaua‘i Emergency Flood Repairs Project is completed, Waipā Bridge and Waikoko Bridge shall have a posted load of 8 tons, with a capacity for 20 tons.
- II. HDOT will ensure that the designs for the rehabilitation of Wai‘oli Bridge shall conform to the Secretary of the Interior’s (SOI) Standards for Rehabilitation and guidelines recommended by the Kūhiō Highway (Route 560) Historic Roadway corridor Plan (2005, HDOT). HDOT shall implement the designs in **Exhibit B**, which consulting parties have had an opportunity to review. Design elements for the rehabilitation of Wai‘oli Bridge include:
 - A. Rehabilitate by removing unsound concrete, corroded rebar, and various cracks and spalls and replacing with new concrete and rebar. The newly rehabilitated areas will be wrapped with an approximately 3/8” thick fiberglass reinforced plastic (FRP) wrap (also known as carbon fiber wrap) where identified in the plans.

- B. Maintain the existing dimensions of both the deck (travelway) and the railings.
 - C. Allow for consultation with concurring parties to select a finish for the FRP wrap that will match the historic finish in color and texture as close as possible.
 - D. HDOT shall provide the bridge designs to concurring parties for a 7-calendar day review.
 - E. Have a posted load of 15 tons, with a capacity for 20 tons for the duration of the Kaua'i Emergency Flood Repairs project. After the Kaua'i Emergency Flood Repairs Project is completed, Wai'oli Bridge shall have a posted load of 8 tons, with a capacity for 20 tons.
- III. Prior to beginning construction work on the Wai'oli, Waipā and Waikoko Bridges, HDOT shall accommodate a community gathering for a groundbreaking ceremony, Native Hawaiian cultural protocols and public commemoration of the historic resources that will be lost as well as those that will be preserved. The community gathering shall be subject to reasonable requirements for safety and other administrative and security procedures. HDOT shall coordinate the community gathering with Hanalei Roads Committee and Hui Ho'omalu I Ka 'Āina.
- IV. Historic American Engineering Record (HAER) Documentation
- A. HDOT shall prepare a HAER document for recordation of the Waipā, and Waikoko Bridge as mitigation to address the adverse effect caused by the reconstruction and demolition of the bridges. The HAER document shall be prepared in accordance with the HABS/HAER/HALS standards as defined in the SOI Standards and Guidelines for Archaeology and Historic Preservation for Architectural and Engineering Documentation and by a historic preservation professional meeting the SOI Professional Qualifications Standards (36 CFR 61) for History, Architectural History, Architecture, or Historic Architecture.
 - B. HDOT shall send the HAER documents to SHPO for a 30-day review. HDOT shall address SHPO's comments, if any, before submitting to the Historian at the Heritage Documentation Program of the National Park Service, Pacific West Region (located 1111 Jackson Street, Suite 7000, Oakland California 94607) for inclusion in the HABS/HAER/HALS collection at the Library of Congress. HDOT shall submit to the SHPO for review no later than 180 calendar days after bridge demolition.
 - C. Upon acceptance and approval by the National Park Service, HDOT shall provide digital copies of the approved HAER document to the signatories and concurring parties identified in this MOA, as well as to members of the public upon request.
- V. Within 12 months of execution of this MOA, HDOT shall initiate an update to the Kaua'i Belt Road National Register (NR) Nomination Form to address changes since the district was listed on the Register of Historic Places. The NR update shall be completed by a preservation professional meeting the SOI Standards for Historian, Architectural

Historian or Historic Architect. HDOT shall submit the draft update to SHPO within 18 months of initiating the update of the nomination form.

- VI. HDOT shall continue to work with consulting parties who participated in the Kaua'i Historic Bridge Forum (February, 2016), and concurring parties to this MOA, to develop a programmatic approach for the management and treatment of historic bridges on Kaua'i. Within 18 months of executing this MOA, HDOT shall develop a scope of work (SOW), timeline and consultation protocol to complete a Programmatic Agreement (PA) for the management and treatment of Kaua'i's Historic Bridges. The SOW shall incorporate information and recommendations from the "Hawaii State Historic Bridge Inventory and Evaluation" (HDOT, 2013) and the American Association of State Highway and Transportation Officials (AASHTO) "Guidelines for Historic Bridge Rehabilitation and Replacement" (2007). HDOT shall develop the SOW through consultation with the signatories and consulting parties, to include:
 - A. HDOT shall distribute the draft SOW to consulting parties at three stages (preliminary, interim and pre-final) for review and comments.
 - B. Consulting parties shall provide written comments to HDOT within 30 calendar days of receipt of the materials. Any party may request a meeting to discuss the materials within the 30-calendar day review period.
 - C. HDOT shall address the comments received in earlier phases when submitting subsequent review materials, with an explanation of how the comments were incorporated or reasons they were not, if applicable.
 - D. HDOT shall provide a status report of upcoming and ongoing projects which may affect historic bridges. The status report will be made available on HDOT's website, and updated monthly during the 18-month development period for the SOW and PA.
- VII. HDOT will prioritize and accelerate the Hanalei Bridge maintenance project identified to occur in the Federal Fiscal Year 2019-2022 (+2) Statewide Transportation Improvement Program (STIP) (currently in preparation). HDOT shall initiate design of the maintenance and preservation work to replace the deteriorated steel and deteriorated paint system on the Hanalei Bridge consistent with SOI standards, no later than 24 months after completion of the Kaua'i Emergency Flood Repairs and Cleanup Project.
- VIII. HDOT shall implement the following traffic control measures to help facilitate traffic flow along Kūhiō Highway, specifically along the single lane bridges, to improve roadway safety and traffic flow during emergency and non-emergency situations, while preserving the historically rural character and utility of the roadway and its single lane bridges. Construction for all measures to be completed prior to the expiration of this agreement:
 - A. Install traffic signal system at Hanalei Bridge. The traffic signal system design and aesthetic shall be consistent with the rural and historic landscape. HDOT

shall provide concurring parties with a 30-calendar day review of the proposed plans.

- B. Install traffic calming measures on the approaches to the single lane bridges, in accordance with U.S. Department of Transportation, Federal Highway Administration's Manual on Uniform Traffic Control Devices (MUTCD) for Streets and Highways. HDOT shall provide concurring parties with a 14-calendar day review of the proposed designs.
 - C. Install and remove signs in accordance with **Exhibit C** to enforce parking restrictions to preserve rural character of the historic roadway. Signs will be installed in accordance with U.S. Department of Transportation, Federal Highway Administration's Manual on Uniform Traffic Control Devices (MUTCD) for Streets and Highways, in the vicinity of Kuhio Highway, Route 560, milepost 8.0 to milepost 10.0. HDOT shall provide concurring parties with a 30-calendar day review of the proposed sign plans.
 - D. Stipulation VIII A through VIII C must comply with normal procurement procedures (design, environmental clearance, and construction). In the event that the individual Section 106 process for these individual undertakings experience delay in schedule beyond 6 months as a result of the Section 106 consultation process, HDOT will be released from the specific mitigation commitment. All other commitments remain in force.
- IX. Archaeological monitoring shall be conducted for ground disturbing activities near the Wai'oli, Waipā, and Waikoko Bridges, and any additional areas deemed as sensitive by SHPO. In the event that any cultural resources or human remains are discovered, all work around the immediate discovery area shall cease and Stipulation XI will be followed.
- X. Cultural monitoring can be accommodated prior to and during ground disturbing activities near the Wai'oli, Waipā, and Waikoko Bridges. Requests for access to the construction site to conduct cultural monitoring shall be made to the HDOT Kaua'i District Engineer for coordination of access. In the event that any cultural resources are discovered, all work around the immediate discovery area shall cease and Stipulation XI will be followed.
- XI. POST-REVIEW AND UNANTICIPATED DISCOVERIES
- A. If previously unidentified archaeological or historic properties, or unanticipated effects, are discovered, the HDOT shall follow HAR Chapter 13-280 "Rules for Governing General Procedures for Inadvertent Discoveries of Historic Properties During a Project Covered by the Historic Preservation Review Process".
 - B. If cultural materials are discovered during construction, all earth-moving activity within and around the immediate discovery area will be diverted until a qualified archaeologist can assess the nature and significance of the find. Additionally, HDOT shall consult with

NHOs that may attach traditional cultural and religious significance to the discovered property.

- C. HDOT will consult with SHPO and NHOs, as appropriate to record, document, and evaluate NRHP eligibility of the property and the project's effect on the property, and to design a plan for avoiding, minimizing, or mitigating adverse effects on the eligible property.
- D. If neither SHPO nor a NHO files an objection within 72 hours of HDOT's plan for addressing the discovery, HDOT may carry out the requirements of 36 CFR 800.13 on behalf of FHWA, and the ACHP does not need to be notified.

XII. TREATMENT OF HUMAN REMAINS

If human remains are inadvertently discovered, HDOT shall follow the procedures in Hawai'i Administrative Rules Title 13, Subtitle 13, Chapter 300 (HAR § 13-300) in which further disturbances and activities shall cease in any area or nearby area suspected to overlie remains. SHPO and the Police Department will then be contacted immediately. In addition, the remains shall be covered and protected in place in such a way that minimizes further exposure of and damage. Procedures in conformance with HAR §13-300 Subchapter 4 "Procedures for Property Treatment of Burial Sites and Human Skeletal Remains" shall be followed.

XIII. DURATION

This MOA will expire if its terms are not carried out within five (5) years from the date of its execution. Prior to such time, FHWA may consult with the other signatories and consulting parties to reconsider the terms of the MOA and amend it in accordance with Stipulation XVII.

XIV. MONITORING AND REPORTING

On an annual basis, following the execution of this MOA until it expires or is terminated, FHWA shall provide all parties to this MOA a summary report detailing work undertaken pursuant to its terms. The report shall include any scheduling changes proposed, any problems encountered, and any disputes and objections received in FHWA or HDOT's efforts to carry out the terms of this MOA. A review meeting may be called by the FHWA or HDOT upon request of a signatory, invited signatory or concurring party to this MOA. A Final report shall be prepared and transmitted to the parties participating in this MOA at the expiration of the MOA.

XV. CONFIDENTIALITY

All parties to this MOA acknowledge that information about historic properties, potential historic properties, or properties considered historic for purposes of this MOA are or may be subject to the provisions of Section 304 of NHPA. Section 304 allows FHWA to withhold from disclosure to the public, information about the location, character, or ownership of a historic resource if FHWA and HDOT determine that disclosure may 1) cause a significant invasion of privacy; 2) risk harm to the historic resource; or 3) impede the use of a traditional religious site by practitioners. Having so acknowledged, all parties to this MOA will ensure that all actions and

documentation prescribed by this MOA are, where necessary, consistent with the requirements of Section 304 of the NHPA.

XVI. DISPUTE RESOLUTION

A. Signatory and Concurring Party Resolution Process

Should any signatory or concurring party to this MOA object to the actions conducted pursuant to the terms of this agreement or the manner in which the terms of this MOA are implemented, the objecting party shall notify FHWA in writing and FHWA shall consult with such party to resolve the objection. If FHWA determines that such objection cannot be resolved:

1. FHWA shall forward all documentation relevant to the objection to ACHP and other signatory parties, including FHWA's proposed response to the objection. The ACHP shall provide FHWA with its advice on the resolution of the objection within thirty (30) days of receiving adequate documentation. Prior to reaching a final decision on the dispute, FHWA shall prepare a written response that takes into account any timely advice or comments regarding the dispute from the ACHP, signatories and concurring parties, and provide all parties (signatories and concurring parties) with a copy of this written response. FHWA will then proceed according to its final decision.
2. If the ACHP does not provide its advice regarding the dispute within the thirty (30) day period, FHWA may make a final decision on the dispute and proceed accordingly. Prior to reaching its final decision, FHWA shall prepare a written response that takes into account any timely comments regarding the dispute from the signatories and concurring parties to the MOA, and provide them and the ACHP with a copy of such written response.
3. FHWA's responsibility to carry out all other actions or terms of this MOA that are not the subject of the dispute remain unchanged.

B. Resolving Public Objections

At any time during implementation of the terms of this Agreement, should any member of the public raise an objection in writing pertaining to such implementation to any signatory party to this Agreement, that signatory party shall immediately notify FHWA. FHWA shall immediately notify the other signatory parties in writing of the objection. Any signatory party may choose to comment on the objection to FHWA. FHWA shall establish a reasonable time frame for this comment period. FHWA shall consider the objection, and in reaching its decision, FHWA will take all comments from the other parties into account. Within 15 calendar days following closure of the comment period, FHWA will render a decision regarding the objection and respond to the objecting party. FHWA will promptly notify the other signatory parties of its decision in writing, including a copy of the response to the objecting party. FHWA's decision regarding resolution of the objection will be final. Following the issuance of its final decision, FHWA may authorize the action subject to dispute hereunder to proceed in accordance with the terms of that decision. Nothing in this paragraph creates additional legal rights or responsibilities on the FHWA that are not already afforded under the National Historic Preservation Act. FHWA's responsibility to carry out all other actions or terms of this MOA that are not the subject of the objection remain unchanged and may proceed.

XVII. AMENDMENTS

This MOA may be amended when such an amendment is agreed to in writing by all signatories. Prior to executing the amendment, signatories shall consult with concurring parties regarding the proposed amendment, and afford concurring parties the opportunity to review the changes. The amendment will be effective on the date a copy of the agreement, signed by all signatories, is filed with the ACHP.

XVIII. TERMINATION

If any signatory to this MOA determines that its terms will not or cannot be carried out, that party shall immediately consult with other signatories and concurring parties to attempt to develop an amendment per Stipulation XV. If within 30 calendar days an amendment cannot be reached, any signatory may terminate the MOA upon written notification to the other signatories.

Once the MOA is terminated, and prior to work continuing on the undertaking, FHWA must either (a) execute an MOA pursuant to 36 CFR § 800.6 or (b) request, take into account, and respond to the comments of the ACHP under 36 CFR § 800.7. FHWA shall notify the signatories as to the course of action it will pursue.

Execution of this MOA by the FHWA, HDOT, SHPO, and the ACHP and implementation of its terms evidence that FHWA has taken into account the effects of this undertaking on historic properties and afforded the ACHP an opportunity to comment.

In the event that HDOT does not meet the mitigation commitments within the time frames agreed upon, FHWA may require that all the funds expended for the Wai'oli Bridge, Waipā Bridge, and Waikoko Bridge be reimbursed to FHWA.

**MEMORANDUM OF AGREEMENT
AMONG THE FEDERAL HIGHWAY ADMINISTRATION
THE HAWAII STATE HISTORIC PRESERVATION OFFICER
AND THE ADVISORY COUNCIL ON HISTORIC PRESERVATION
REGARDING THE
KAUA'I EMERGENCY FLOOD REPAIRS AND CLEANUP AT VARIOUS
LOCATIONS APRIL 2018
Districts of Halele'a and Wailua, Kaua'i, Hawai'i**

SIGNATORIES

Federal Highway Administration
Hawaii State Historic Preservation Division
Advisory Council on Historic Preservation

INVITED SIGNATORIES

Hawaii State Department of Transportation

CONCURRING PARTIES

Hanalei Roads Committee
Hui Ho'omalulu I Ka 'Āina
Historic Hawaii Foundation

CONSULTING PARTIES

Hui Hanalei Watershed
Konohiki Restoration Project
Waikoko Ohana

**MEMORANDUM OF AGREEMENT
AMONG THE FEDERAL HIGHWAY ADMINISTRATION,
THE HAWAII STATE HISTORIC PRESERVATION OFFICER,
AND THE ADVISORY COUNCIL ON HISTORIC PRESERVATION
REGARDING THE
KAUA'I EMERGENCY FLOOD REPAIRS AND CLEANUP AT VARIOUS
LOCATIONS APRIL 2018
Districts of Halele'a and Wailua, Kaua'i, Hawai'i**

SIGNATURES

SIGNATORIES

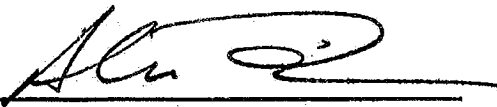


Digitally signed by
RALPH RIZZO
Date: 2018.09.28
07:38:18 -10'00'

Ralph J. Rizzo
Division Administrator
Federal Highway Administration

Date: September 28, 2018

**MEMORANDUM OF AGREEMENT
AMONG THE FEDERAL HIGHWAY ADMINISTRATION,
THE HAWAII STATE HISTORIC PRESERVATION OFFICER,
AND THE ADVISORY COUNCIL ON HISTORIC PRESERVATION
REGARDING THE
KAUA'I EMERGENCY FLOOD REPAIRS AND CLEANUP AT VARIOUS
LOCATIONS APRIL 2018
Districts of Halele'a and Wailua, Kaua'i, Hawai'i**



Dr. Alan S. Downer, PhD
Deputy State Historic Preservation Officer
Hawaii State Historic Preservation District

Date: 10.2.18

**MEMORANDUM OF AGREEMENT
AMONG THE FEDERAL HIGHWAY ADMINISTRATION,
THE HAWAII STATE HISTORIC PRESERVATION OFFICER,
AND THE ADVISORY COUNCIL ON HISTORIC PRESERVATION
REGARDING THE
KAUA'I EMERGENCY FLOOD REPAIRS AND CLEANUP AT VARIOUS
LOCATIONS APRIL 2018
Districts of Halele'a and Wailua, Kaua'i, Hawai'i**



John M. Fowler
Executive Director
Advisory Council on Historic Preservation

Date: _____

10/02/18

**MEMORANDUM OF AGREEMENT
AMONG THE FEDERAL HIGHWAY ADMINISTRATION,
THE HAWAII STATE HISTORIC PRESERVATION OFFICER,
AND THE ADVISORY COUNCIL ON HISTORIC PRESERVATION
REGARDING THE
KAUA'I EMERGENCY FLOOD REPAIRS AND CLEANUP AT VARIOUS
LOCATIONS APRIL 2018
Districts of Halele'a and Wailua, Kaua'i, Hawai'i**



Jade T. Butay
Director of Transportation
Hawaii State Department of Transportation

Date: Sep 27, 2018

CONCURRING PARTIES

**MEMORANDUM OF AGREEMENT
AMONG THE FEDERAL HIGHWAY ADMINISTRATION,
THE HAWAII STATE HISTORIC PRESERVATION OFFICER,
AND THE ADVISORY COUNCIL ON HISTORIC PRESERVATION
REGARDING THE
KAUA'I EMERGENCY FLOOD REPAIRS AND CLEANUP AT VARIOUS
LOCATIONS APRIL 2018
Districts of Halele'a and Wailua, Kaua'i, Hawai'i**

Brian Hennessy
Co-Chair
Hanalei Roads Committee

Jonny Wichman
Co-Chair
Hanalei Roads Committee

Date: _____

Date: _____

**MEMORANDUM OF AGREEMENT
AMONG THE FEDERAL HIGHWAY ADMINISTRATION,
THE HAWAII STATE HISTORIC PRESERVATION OFFICER,
AND THE ADVISORY COUNCIL ON HISTORIC PRESERVATION
REGARDING THE
KAUA'I EMERGENCY FLOOD REPAIRS AND CLEANUP AT VARIOUS
LOCATIONS APRIL 2018
Districts of Halele'a and Wailua, Kaua'i, Hawai'i**

Maka'ala Ka'aumoana
Vice Chair
Hui Ho'omalulu I Ka 'Āina

Date: _____

**MEMORANDUM OF AGREEMENT
AMONG THE FEDERAL HIGHWAY ADMINISTRATION,
THE HAWAII STATE HISTORIC PRESERVATION OFFICER,
AND THE ADVISORY COUNCIL ON HISTORIC PRESERVATION
REGARDING THE
KAUA'I EMERGENCY FLOOD REPAIRS AND CLEANUP AT VARIOUS
LOCATIONS APRIL 2018
Districts of Halele'a and Wailua, Kaua'i, Hawai'i**



Kiersten Faulkner, AICP
Executive Director
Historic Hawaii Foundation

Date: Oct. 10, 2018

EXHIBIT A
LIST OF EMERGENCY REPAIRS, LOCATIONS, AND
AREA OF POTENTIAL EFFECT MAP

Kuhio Highway (Routes 560 and 56) List of Emergency Repairs and General Locations

Hā'ena through Hanalei

1. **Kūhiō Highway (Route 560), Milepost (MP) 10 at Kē'ē State Park:** Reconstruct roadway
2. **Limahuli Stream Crossing (Route 560), MP 9.55:** Repair concrete section lost in flooding. Resurface entire ford crossing;
3. **Kūhiō Highway (Route 560), MP 8.87 at Hā'ena Beach Park:** Repair roadway shoulder;
4. **Mānoa Stream Ford Crossing (Route 560), MP 8.76 near Haena Beach Park:** Repair the entire crossing;
5. **Kūhiō Highway (Route 560), MP 6.5 (Repair Site 2):** Roadway stabilization area with only 1 lane remaining: Debris removal, slope wall installation including soil nails, foot of slope revetment, guardrail/sign replacement, pavement repair;
6. **Kūhiō Highway (Route 560), 15 locations or more from MP 6.5 through MP 4.4:** Debris removal, slope scaling, slope stabilization, guardrail replacement, pavement repairs;
7. **Kūhiō Highway (Route 560), MP 5.8:** Stockpile area;
8. **Kūhiō Highway (Route 560), MP 4.5 (Repair Site 1):** Roadway stabilization area: Debris removal, slope wall installation including soil nails, foot of slope revetment, guardrail/sign replacement, pavement repair;
9. **Kūhiō Highway (Route 560), MP 4.4:** Stockpile area;
10. **Waikoko Bridge (Route 560):** Replace existing bridge;
11. **Waipā Bridge (Route 560):** Replace existing bridge;
12. **Kūhiō Highway (Route 560), MP 3.7:** Staging area;
13. **Wai'oli Bridge (Route 560):** Rehabilitate existing bridge;
14. **Kūhiō Highway (Route 560), MP 1:** Debris removal, slope scaling, guardrail replacement, minor pavement repair;
15. **Kūhiō Highway (Route 560), MP 0.5:** Debris removal;

Kalihiwai

16. **Kūhiō Highway (Route 56), MP 25:** Debris removal, slope scaling;
17. **Kūhiō Highway (Route 56), MP 24.9:** Debris removal from under bridge, and CRM wall replacement;

Wailua

18. **Wailua Bridge (Route 56):** Debris removal from river under bridge.

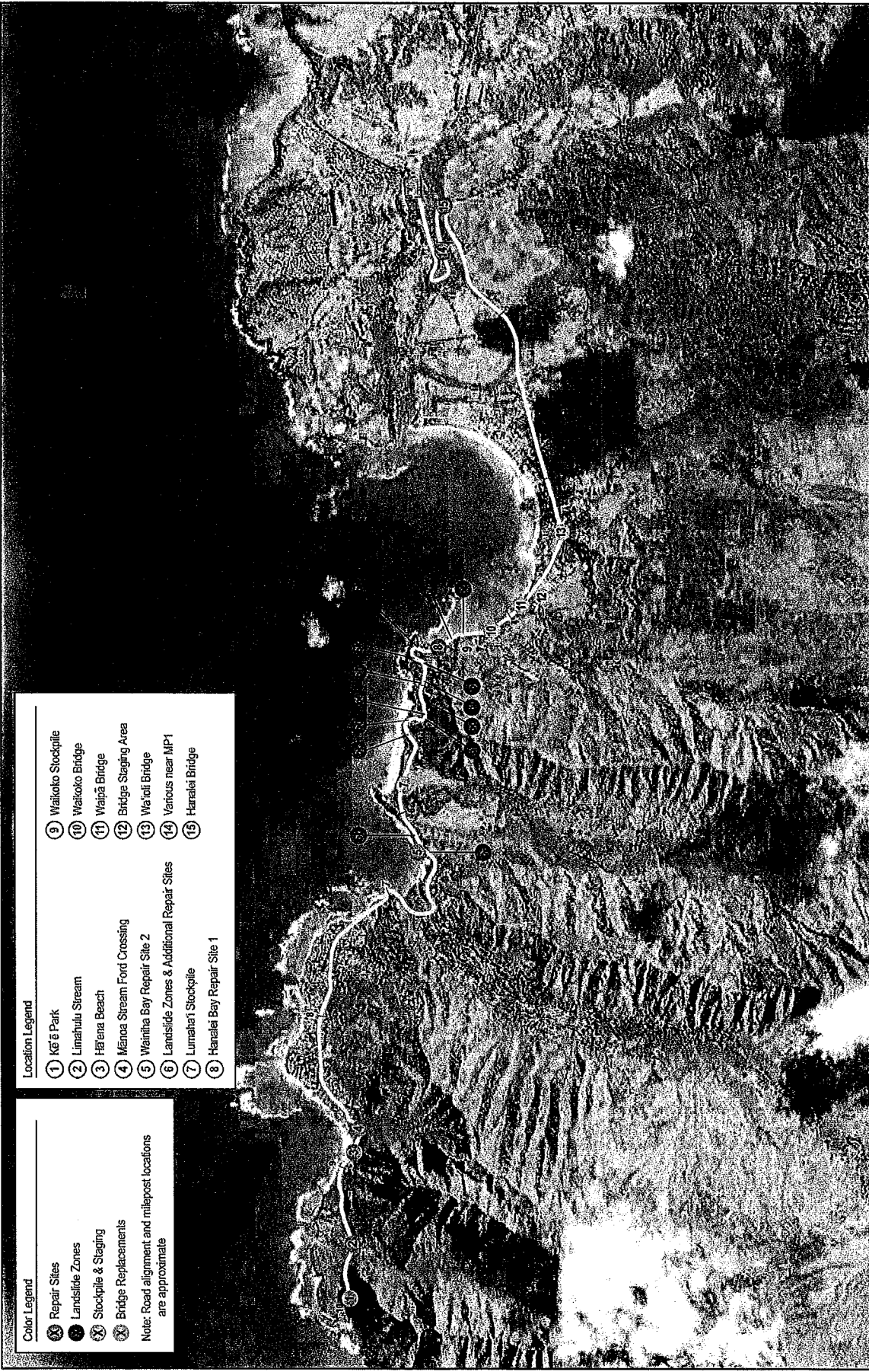


Figure 1: Locations of Sites: Hāʻena to Hanaʻalei
 Kawai Emergency Flood Repairs and Cleanup - Various Locations - April 2018

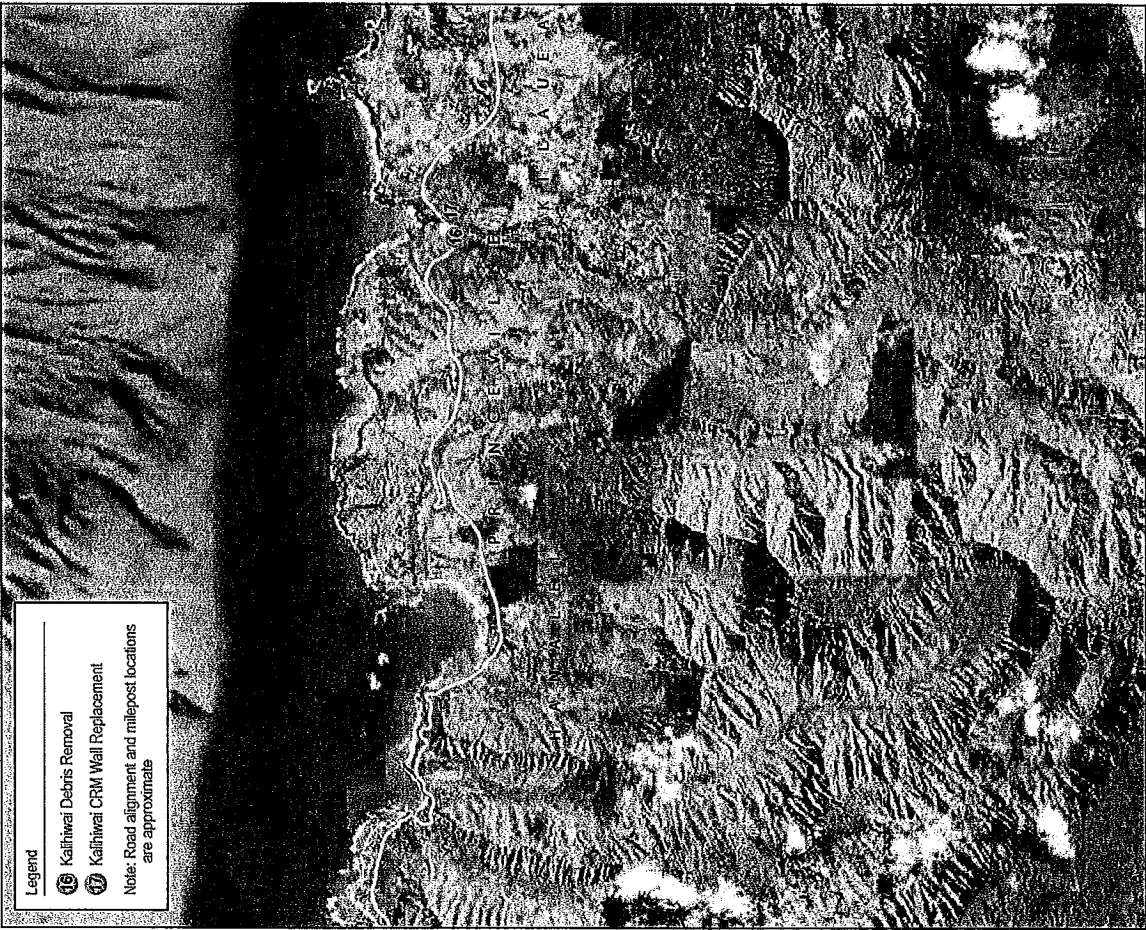
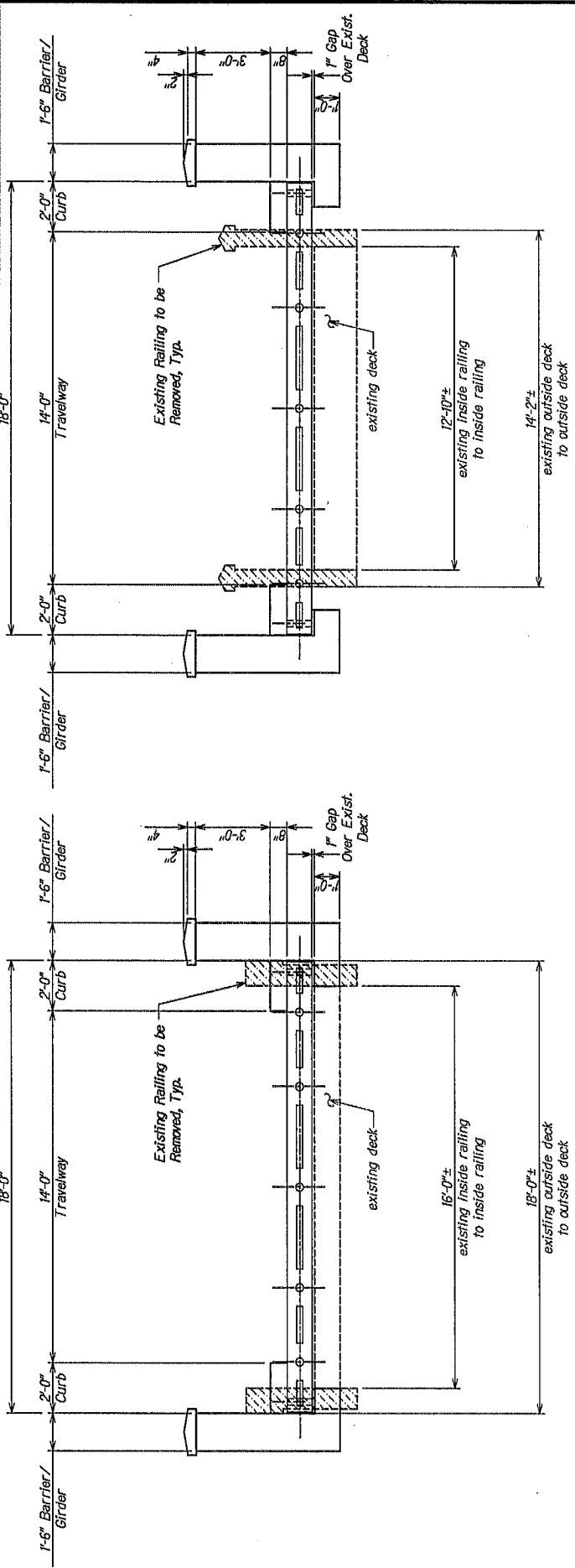


Figure 2: Kālihiwai and Wailūa
Kauai Emergency Flood Repairs and Cleanup - Various Locations - April 2018

EXHIBIT B
WAI'OLI, WAIPĀ, AND WAIKOKO BRIDGE DESIGNS

FED. ROAD DIST. NO.	STATE	PERSONAL PROJ. NO.	PROJ. YEAR	SHEET NO.	TOTAL SHEETS
HAWAII	HAW.	EPB0005	2018	00	—



WAIPA STREAM BRIDGE
TYPICAL SECTION
Scale: 1/2" = 1'-0"



WAIPA STREAM BRIDGE
TYPICAL SECTION
Scale: 1/2" = 1'-0"



DEPARTMENT OF TRANSPORTATION
ROADWAYS DIVISION

WAIPA STREAM BRIDGE
TYPICAL DECK SECTION

KUHIHO HIGHWAY, 3W BRIDGES

Proj. No. ER19(007)

Scale: As Noted

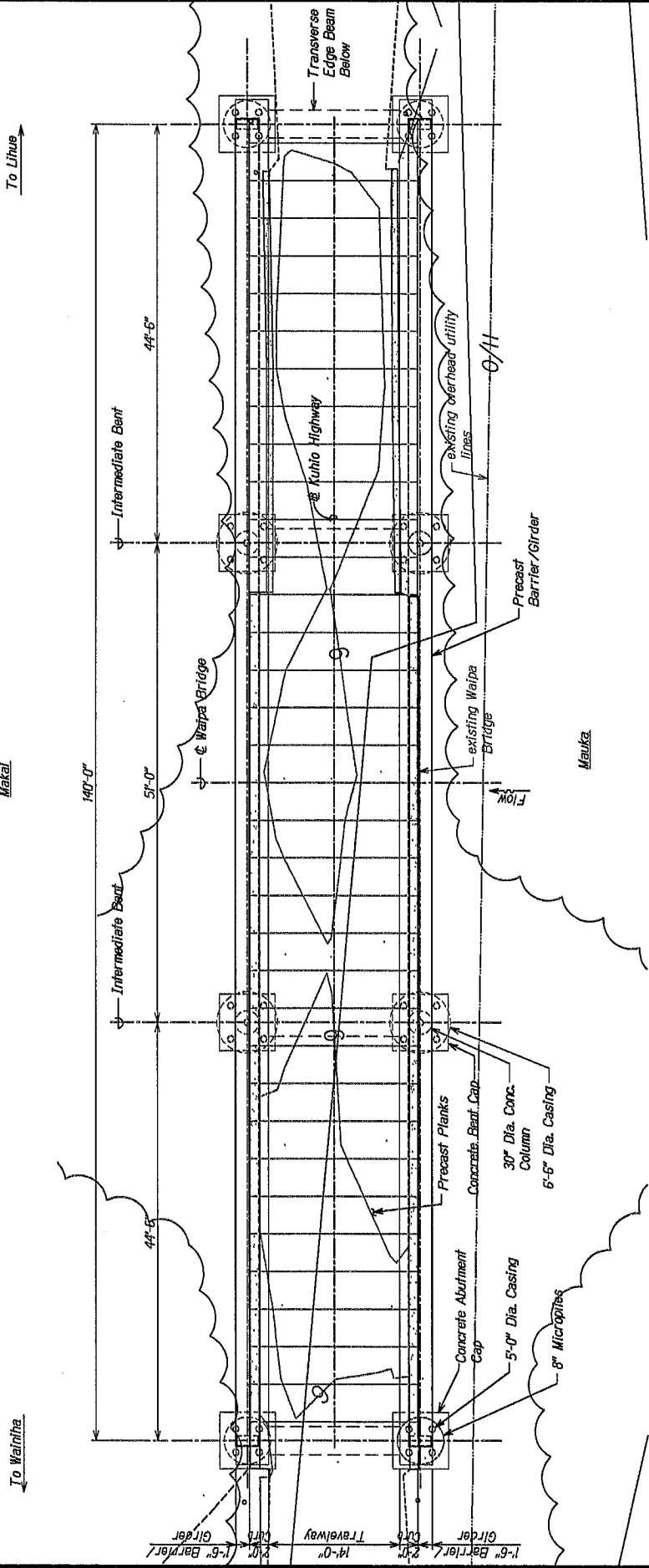
SHEET No. 5 OF SHEETS

Date: May 18, 2018

DATE PLOTTED: 05/24/18 10:18 AM

DESIGNED BY	DATE
CHECKED BY	DATE
APPROVED BY	DATE
PROJECT NO.	DATE
SCALE	DATE
BY	DATE
DATE	DATE

DESIGN NO.	STATE	FEDERAL AID PROJ. NO.	YEAR	SHEET NO.	TOTAL SHEETS
HAWAII	HAW.	ER(3006)	2018	00	—



WAIPA STREAM BRIDGE DECK PLAN
Scale: 3/16" = 1'-0"

STATE OF HAWAII
DEPARTMENT OF TRANSPORTATION
HIGHWAYS DIVISION

WAIPA STREAM BRIDGE
DECK PLAN

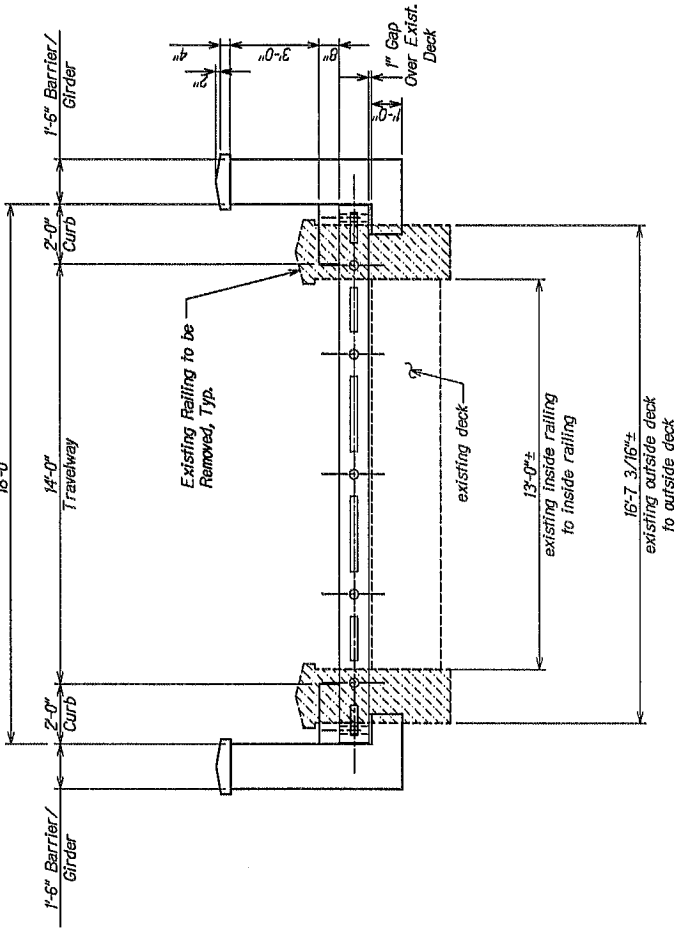
KUHIO HIGHWAY, 3RD BRIDGES

Proj. No. ER(3006)
Scale: As Noted Date: May 18, 2018

SHEET NO. S22 OF 2 SHEETS

DESIGNED BY	DATE
CHECKED BY	DATE
IN CHARGE	DATE
PROJECT ENGINEER	DATE
PROJECT MANAGER	DATE
PROJECT SUPERVISOR	DATE
PROJECT ASSISTANT	DATE

FED. ROAD DIST. NO.	STATE	FEDERAL AID PROJ. NO.	FISCAL YEAR	SHEET NO.	TOTAL SHEETS
HAWAII	HAW.	ER19(005)	2018	00	—



WAIKOKO STREAM BRIDGE
 TYPICAL SECTION
 Scale: 1/2" = 1'-0"

STATE OF HAWAII
 DEPARTMENT OF TRANSPORTATION
 HONOLULU, HAWAII

WAIKOKO STREAM BRIDGE
TYPICAL DECK SECTION
 KUHIO HIGHWAY, 3RD BRIDGES

Project No. ER19(007)
 Scale: As Noted Date: Mar 18, 2018

SHEET No. 5 OF SHEETS

DATE: 02-21-18 8:18 AM

PROJECT:	WAIKOKO STREAM BRIDGE
DATE:	02-21-18
SCALE:	1/2" = 1'-0"
DRAWN BY:	...
CHECKED BY:	...
APPROVED BY:	...

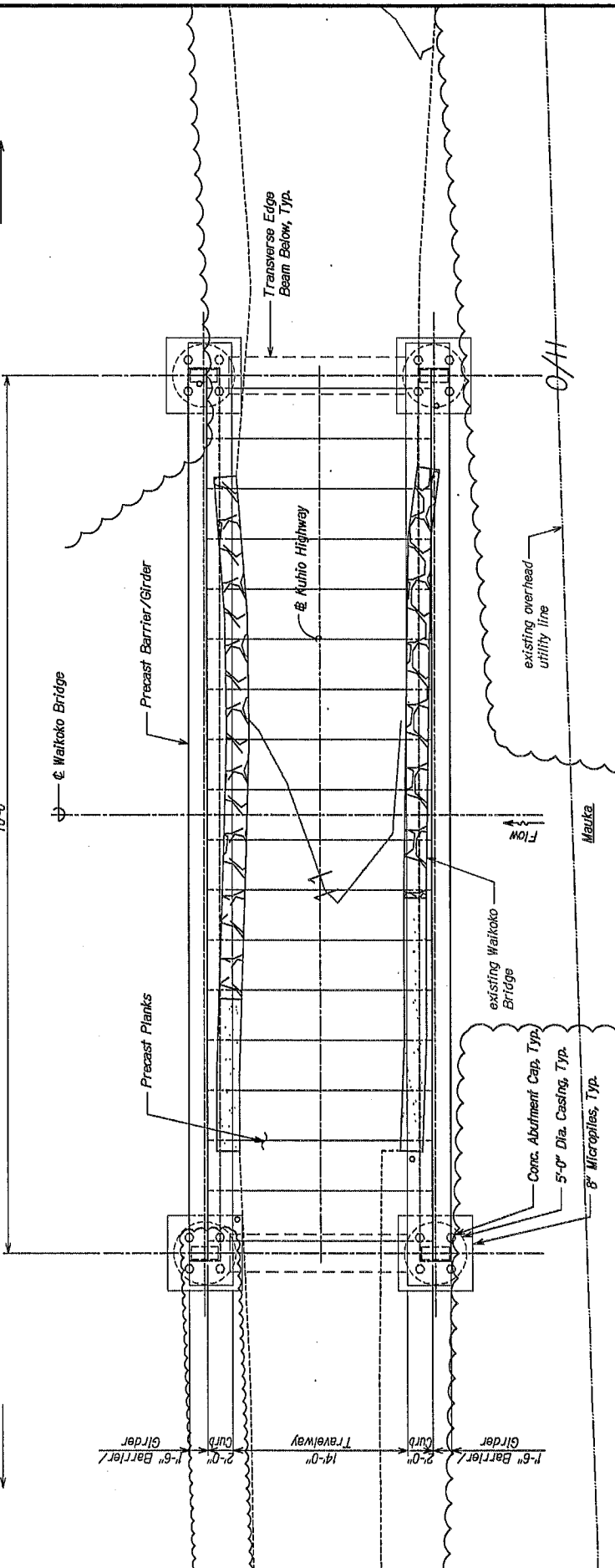
FED. ROAD DIST. NO.	STATE	FEDERAL AID PROJ. NO.	FISCAL YEAR	SHEET NO.	TOTAL SHEETS
HAWAII	HAW.	EP09(006)	2018	00	—

To Lihue →

Makai

70'-0"

← To Wainiha



WAIKOKO STREAM BRIDGE DECK PLAN

Scale: 1/4" = 1'-0"

STATE OF HAWAII
DEPARTMENT OF TRANSPORTATION

WAIKOKO STREAM BRIDGE
DECK PLAN

KUHO HIGHWAY 3W BRIDGES

Proj. No. ER09(007)

Scale: As Noted Date: May 18, 2018
SHEET No. S32 OF 3 SHEETS

DATE PLOTTED: 05-24-18 10:28 AM

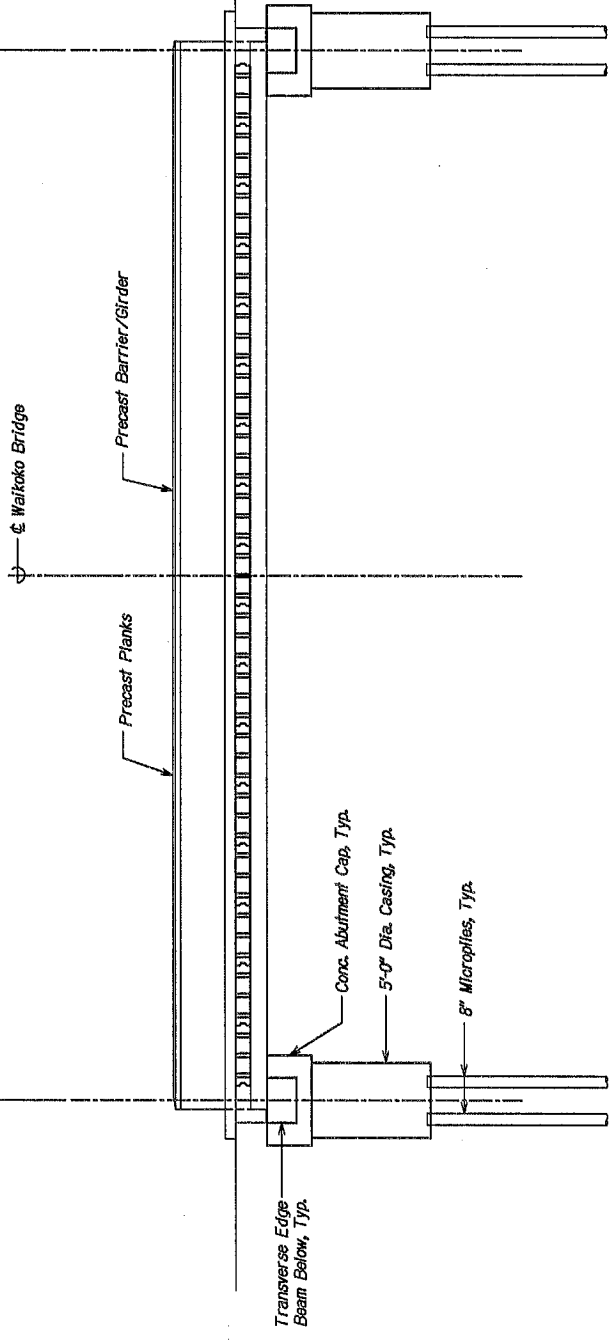
DESIGNED BY	DATE
CHECKED BY	DATE
IN CHARGE	DATE
PROJECT NO.	DATE
SCALE	DATE

PROJECT NO.	STATE	FEDERAL AID PROJECT NO.	FROM YEAR	SHEET NO.	TOTAL SHEETS
14000	HAWAII	EPB(0005)	2018	00	—
DESIGN NO.	PLAN	EPB(0005)			

To Lihue

70'-0"

To Wainiha



WAIKOKO STREAM BRIDGE
LONGITUDINAL SECTION
 Scale: 1/4" = 1'-0"

DEPARTMENT OF TRANSPORTATION
 HAWAIIAN DIVISION
WAIKOKO STREAM BRIDGE
LONGITUDINAL SECTION
 KUHOLO HIGHWAY, 3W BRIDGES

 Proj. No. ER19(007)
 Scale: As Noted Date: May 18, 2018
 SHEET NO. S33 OF 3 SHEETS

DRAWING NAME: I:\5533-PROJECTS\10000000\WAIKOKO\1-TRUCK\ER_2018-03-23\BRIDGE\13-18-2018\WAIKOKO.DWG PLOT TIME: 05-14-18 8:27 AM

DESIGNED BY	DATE
CHECKED BY	DATE
APPROVED BY	DATE
SCALE	DATE
REVISIONS	DATE

EXHIBIT C
AREAS TO BE SIGNED FOR PARKING RESTRICTIONS

Proposed Parking Regulations: Hā'ena, Halele' a, Kaua' i



-  Parking Allowed
-  One hour Parking
-  No Parking

